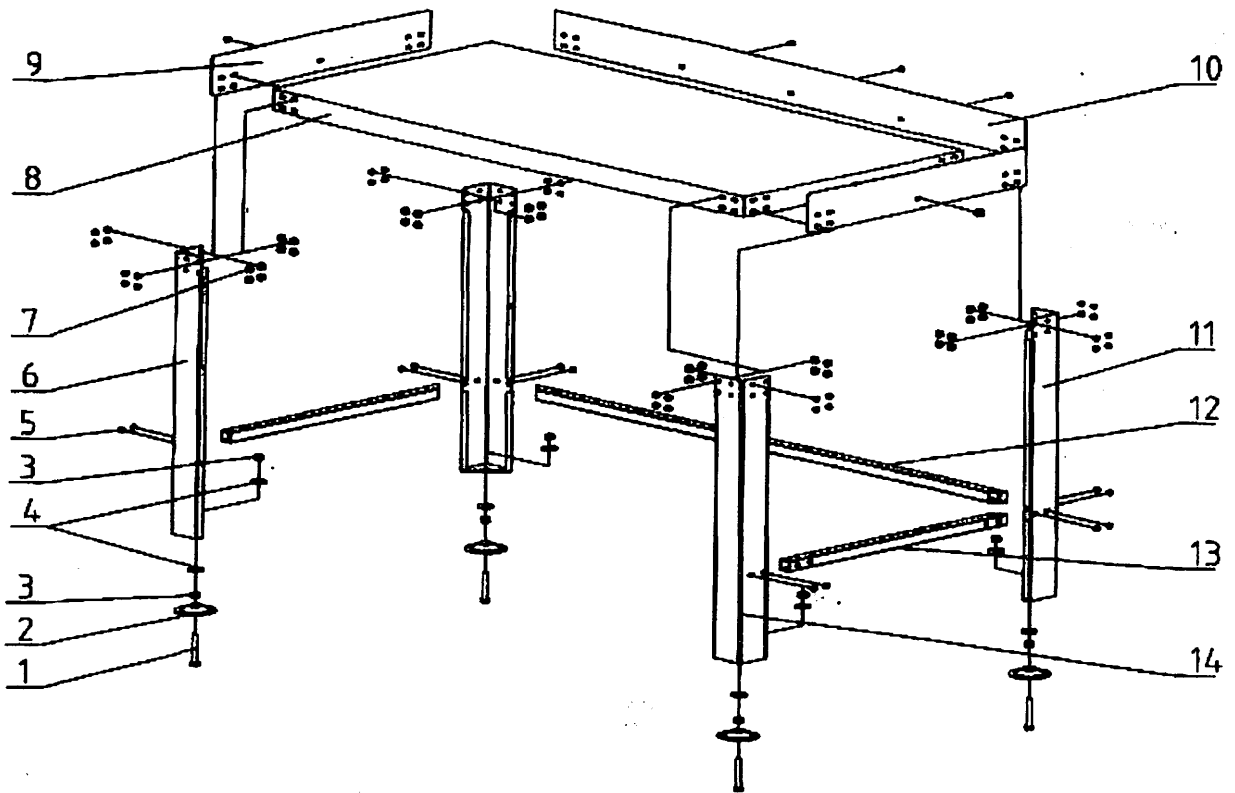


WORK TABLE



PARTS LIST

NO	DESC	QTY
1	BOLT	4
2	SUPPORT WASHER PLATE	4
3	SCREW	12
4	FLAT WASHER	8
5	HEX SCREW	49
6	FRONT-LEFT LEG	1
7	FLANGE SURFACE SCREW	32
8	TABLE PLATE	1
9	SIDE PLATE	2
10	REAR PLATE	1
11	REAR LEG	2
12	REAR PIPE	1
13	SIDE PIPE	2
14	FRONT-RIGHT LEG	1