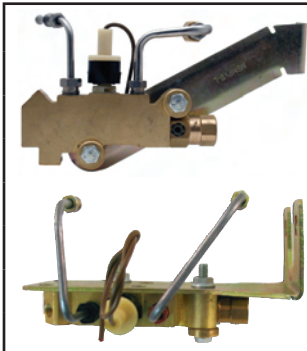




# 631302 / 631303 PROPORTIONING VALVE KIT INSTALLATION INSTRUCTIONS

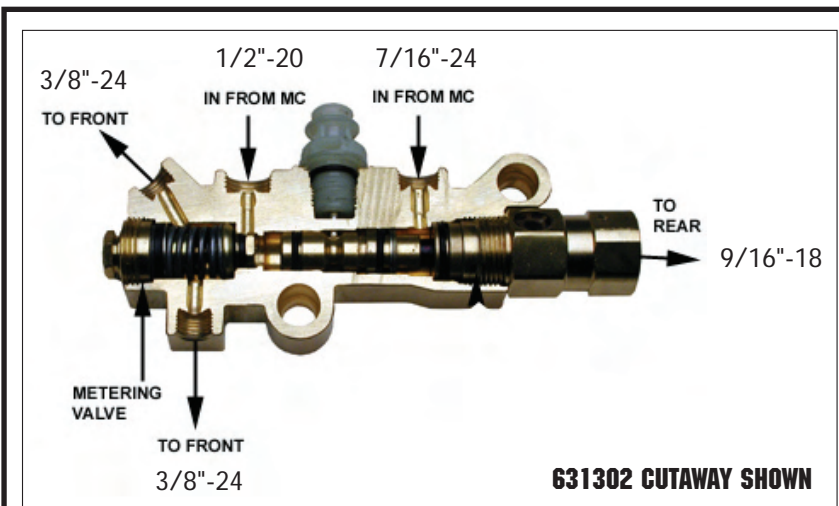
(LEFT SIDE KIT USED FOR EXAMPLE, BUT INSTRUCTIONS APPLY TO ALL KITS)



## INCLUDED IN THIS KIT:

1	Proportioning Valve
2	Pre-bent lines
1	Brake light wiring harness
1	Mounting bracket
2	5/16-18 bolts
2	washers-flat
2	washers-split locking

**WARNING** Proper operation of your brakes is essential for your safety and the safety of others. Any brake service should be performed **ONLY** by persons experienced in the installation and proper operation of brake systems. It is the responsibility of the person installing any brake component or kit to determine the suitability of the component or kit for the particular application. **DO NOT DRIVE WITH UNTESTED BRAKES!**



631302 CUTAWAY SHOWN

## INSTALL LINES AS SHOWN IN DIAGRAM:

The most common proportioning valve plumbing is shown. An alternative plumbing method is to plug off the top front line and have the bottom front line go to a "T" fitting. From the "T" fitting, the front lines are then split off to the left and right calipers.

**NOTE: AFTER INSTALLATION REFER TO MASTER CYLINDER MANUFACTURER INSTRUCTIONS FOR PROPER BLEEDING**

## TESTING THE PROPORTIONING VALVE FOR PROPER OPERATION:

1. Use a test light by attaching a clip to a positive contact on the vehicle and touch the point of the tester to the electrical connection of the combination valve. If the light does not come on, the valve system is operating correctly and no further testing is required.
2. If the light does come on, this indicates that the pressure differential valve is stuck in the front or rear position.
3. Bleed the brake system to determine if the front or rear lines are blocked off. Set up one front wheel and one rear wheel for bleeding at the same time. Crack both bleeder screws and gently pump the pedal a few times. The blocked side will trickle fluid out when the bleeder screw is cracked and the pedal pressed. An unblocked line will squirt fluid out the bleeder.
4. The lines that are clear must be left open and the blocked lines should have the bleeder screws tight to cause pressure to build up on that side. Be sure to use the standard bleeding procedures to prevent air from entering the system.
5. Slowly press the pedal with steady pressure a number of times until the light goes out; this will center the differential valve. You may also hear a pop come from the proportioning valve. This is the metering valve returning to its equalized position. When the light goes out, close the bleeder screw.